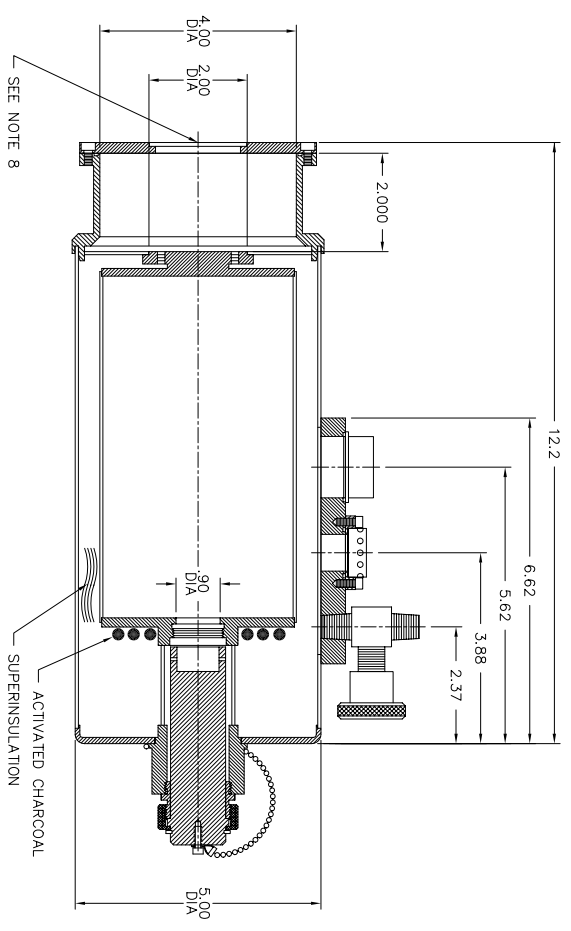
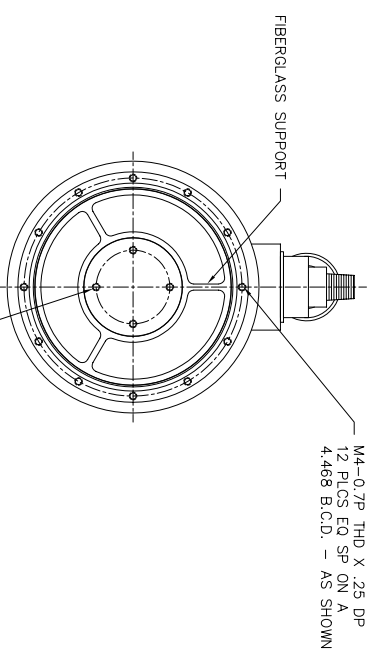
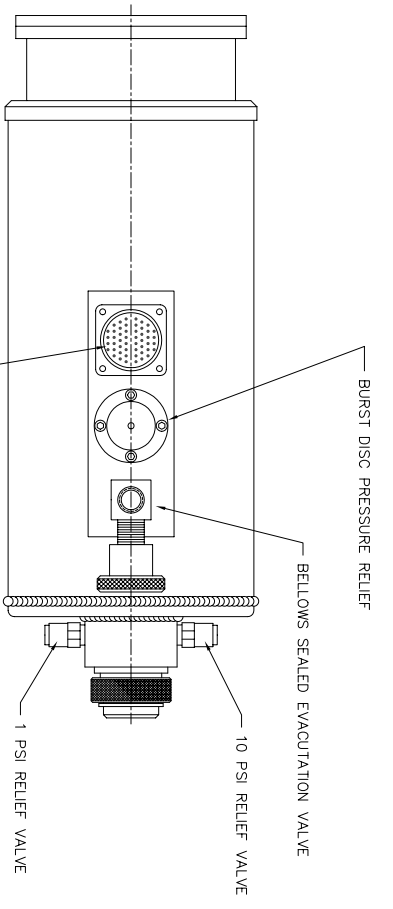


ALL POSITION CONFIGURATION



- NOTES:
- 1) LN2 CAPACITY = 1.3 LITERS (STANDARD CONFIGURATION)
  - 2) LN2 HOLD TIME = 40 HOURS (WITH 300 mW CUSTOMER LOAD)
  - 3) LN2 CAPACITY = 0.54 LITERS (ALL POSITION CONFIGURATION)
  - 4) LN2 HOLD TIME = 16 HOURS (WITH 300 mW CUSTOMER LOAD)
  - 5) DEWAR TO SHIP UNDER VACUUM USING A WINDOW BLANK
  - 6) FINISH: PPG UROTEC PAINT (MEDIUM TEXTURE) COLOR: KADEL GRAY
  - 7) CONNECTOR WIRED WITH #36 CU WIRE (TAPED TO CELL POST)
  - 8) WINDOW MOUNT ACCEPTS A 50mm DIA X 2mm THICK EPOXY-IN WINDOW

REVISIONS			TOLERANCES (EXCEPT AS NOTED)		STOCK SIZE	
NO	REMARKS	DATE	BY	FRACTIONAL ± 1/64	MATERIAL	APPROVED BY
1	UPDATED TIL PORT & WINDOW MOUNT	6/1/99	TAW	DECIMAL: .XX ±.005 X ±.010 X ±.008	ALUMINUM	TAW
2						
3						
4						
5						
6						
7						

		<b>KADEL ENGINEERING CORPORATION</b> 1627 EAST MAIN STREET DANVILLE, INDIANA 46122	
DATE	8/12/97	DRAWING NUMBER	KR497-41C1
			X2125
REV			1